

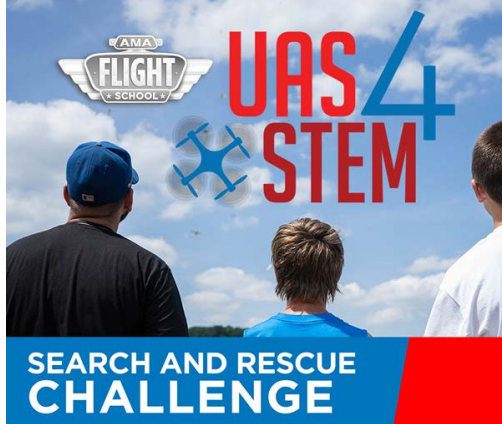
AMA TODAY

Academy of Model Aeronautics Newsletter



Tuesday, April 05, 2016

[Forward to a Friend >](#)



AMA selects UAS4STEM regional competition venues

AMA has completed the venue-selection process for the first year of UAS4STEM competitions. Thank you to the six AMA clubs that will help the AMA host the events. The national competition will be held at the International Aeromodeling Center, located in Muncie, IN, on August 21, 2016.

[read more >](#)

ADVERTISEMENTS



SpaceShipOne RC test model is here!

Burt Rutan's SpaceShipOne incorporated a unique "feathering" reentry system. To demonstrate this concept, Dan Kreigh built and flew an electric-powered RC test version of the aircraft. This version is now on display at the National Model Aviation Museum, thanks to Burt Rutan and Dan Kreigh.

[check it out >](#)

ADVERTISEMENTS



International Drone Day is May 7

International Drone Day 2016 takes place Saturday, May 7. This follows the success of the first International Drone Day in 2015, which more than 40,000 people in 150 countries celebrated. Hundreds of teams throughout the world will hold events to educate those outside of the drone community about the many positive ways in which drones can be used to better society. The mantra of those taking part is "Drones are Good!" To find an event near you, visit www.internationaldroneday.com.

[watch now >](#)

ADVERTISEMENTS



Electric flight enthusiasts mark your calendars

The AMA's National Electric Fly-In (NEFI) will be held June 10-12 at AMA Headquarters in Muncie IN. This event will feature model aircraft of all shapes and sizes including micro airplanes, aerobatic aircraft, and large helicopters. A foam-wing Combat contest and Pylon Racing are scheduled, and flight simulators will be available for kids of all ages to try.

[check it out >](#)

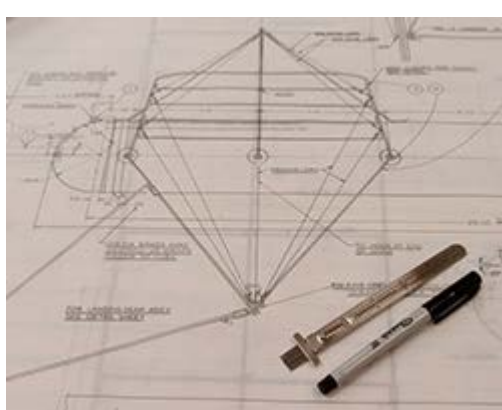
ADVERTISEMENTS



National Model Aviation Day registration begins

Calling all AMA clubs! We want you to help AMA promote the great hobby that we all love by participating in National Model Aviation Day on August 13, 2016. This is an exciting year for the AMA-we are celebrating 80 years of fun and safe flying. More information about this year's event will be released soon. Thank you to our first two Platinum Sponsors, [Ready Made RC](#) and [Hobbico](#), for assisting us with our efforts to promote the hobby and encourage the public to discover flight.

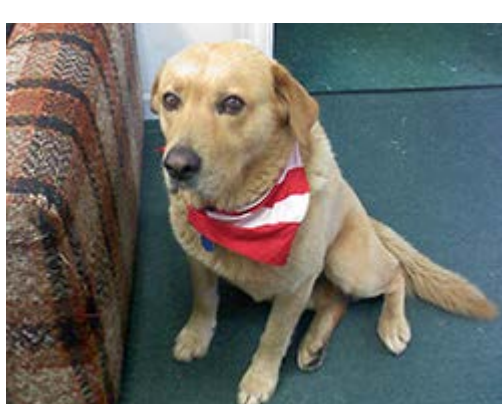
[check it out >](#)



1914 Bing Autoplan plans now available

Plans for a 1914 Bing Autoplan are now available for sale through AMA's Plans Service for \$31. Hand-drawn by National Model Aviation Museum volunteers after a close inspection of the original, the plans are accurate and highly detailed. To order, call Greg Prater at (800) 435-9262, ext. 507, and ask for plan #60595.

[check it out >](#)



AMA remembers Servo

Beloved companion, sidekick, and pet, Servo was laid to rest on March 14. Servo was the official "greeter" for Hodges Hobbies in Andersonville, GA for many years. He became part of the Hodges family after they found him at their home. He immediately assumed his duty as the ambassador for Hodges Hobbies. Servo was buried beside the hobby shop, so he'll always be at home where he was so loved! Family friend Jon Spaller said, "He was always there, but never in the way. Loving enough, but not imposing like many dogs can be. Who knows where he came from, but he ended up in just the right place." He will be missed by many.



AMA hosts Camp AMA T-shirt design contest

Ready to show off your design skills? AMA is hosting a Camp AMA T-shirt design contest now through April 14. The winner will have his or her design appear on this year's Camp AMA T-shirts, and win an awesome prize! Each submission will be reviewed by a panel of judges based on originality and creativity.

[learn more >](#)



Build your own Venom

Get a sneak peek at an upcoming story in the May edition of *Model Aviation* that will feature free plans and instructions to build your own Venom. This is an easy-to-build all-sheet semiscale hand- or catapult-launch glider. The online article includes free plans and build photos.

[free plans >](#)



AMA ID labels available in the AMA online store

AMA encourages all members to include pilot information on model aircraft. For many years, an ID label has been available for this purpose. If you are looking to add contact information to your models, consider purchasing one of these labels. This fuel-proof, adhesive-backed label has space on the bottom for your name and address. A clear plastic flap protects the label. Adding one of these stickers on or in your model complies with the AMA Safety Code requirements for identification and will help recover the model if it is lost. Each pack includes 10 labels.

[buy now >](#)



Stay organized at the club field with an AMA pad-folio

AMA's stylish zippered padfolio is now on sale. The organizer and note pad is embossed with the AMA logo on the front, with a slot pocket. Its stitched interior and exterior DuraHyde make the padfolio durable and lasting. The interior has multiple pockets including a secure zippered compartment for ensuring things never get lost. It includes special pockets for business cards, IDs, or a small calculator, and a full gusseted file pocket on the inside provides ample room for thicker documents. A pen loop ensures you have your pen ready, and the full zippered closure tucks it all away. This organizer includes an 8.5-inch x 11-inch writing pad, and is available in black. It measures 13.5 inches high x 1.5 inches wide x 10 inches long. **The padfolio is on sale for a limited time for only \$19.99.**

[buy now >](#)